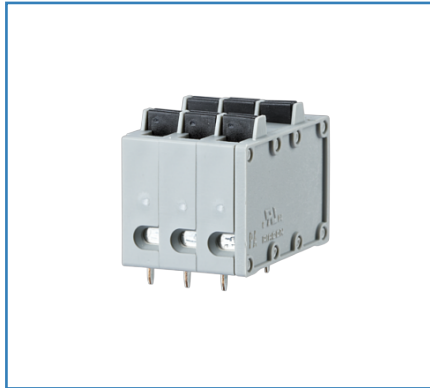


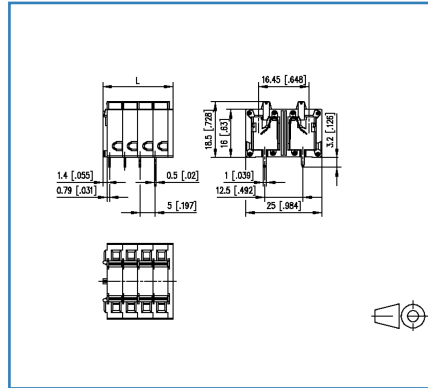
Data sheet

ST145xxVDNN AST145

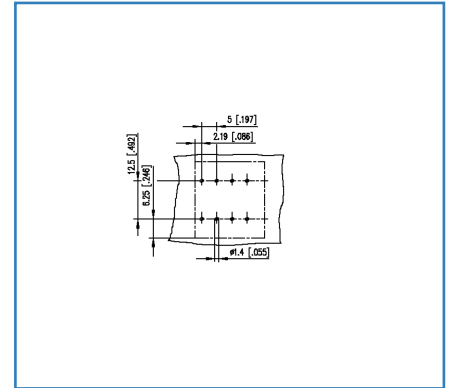
Illustrations



Dimensional drawing



Drill pattern





See enlarged drawings at the end of document

Product specification

- spring clamp terminal block, solderable, double solder pins
- centerline 5.00 mm, direction of connection vertical 0°
- color gray
- push-button, two individual contacts per centerline

Technical Data

General Data			
Solder pin length	3.2 mm		
Min. number of poles	4		
Max. number of poles	48		
Insulating material class	CTI 600		
clearance/creepage dist.	4.5 mm		
Protection category	IP20		
Min. insul. strip length	12 mm		
Rated current	17.5 A		
Overvoltage category	III	III	II
Pollution degree	3	2	2
Rated voltage	160 V	400 V	400 V
Rated test voltage	2.5 kV	2.5 kV	2.5 kV
Connection Data			
Rat.wiring solid AWGmax	0.2 mm ² - 2.5 mm ² / AWG 28 - AWG 12		
Rat.wiring strand.AWGmax	0.2 mm ² - 2.5 mm ² / AWG 28 - AWG 12		
Approvals			
extended wiring UL	Wire range extended to No. 12 AWG solid only.		
 V / A / AWG	300 / 17 / 28 - 14		
approval UL - File No.	E121004		
 1.5 mm ²	450 V / 17.5 A / T60		
Material			
Insulating material	PA66		
Flammability class	V0		
Spring material	Spring steel		
Contact material	CuSn		
Contact surface	Sn		
Glow-Wire Flammability GWFI	960 °C acc. to IEC 60695-2-12		
Glow-Wire Flammability GWIT	775 °C acc. to IEC 60695-2-13		
Climatic Data			
Upper limit temperature	105 °C		
Lower limit temperature	-40 °C		
General			
Tolerance	ISO 2768 -mH		

U | Contact

Data sheet
ST145xxVDNN AST145

Page 3/5

P/N
AST145xx
xx=number of poles
2020/05/12
Version: W

Technical Data

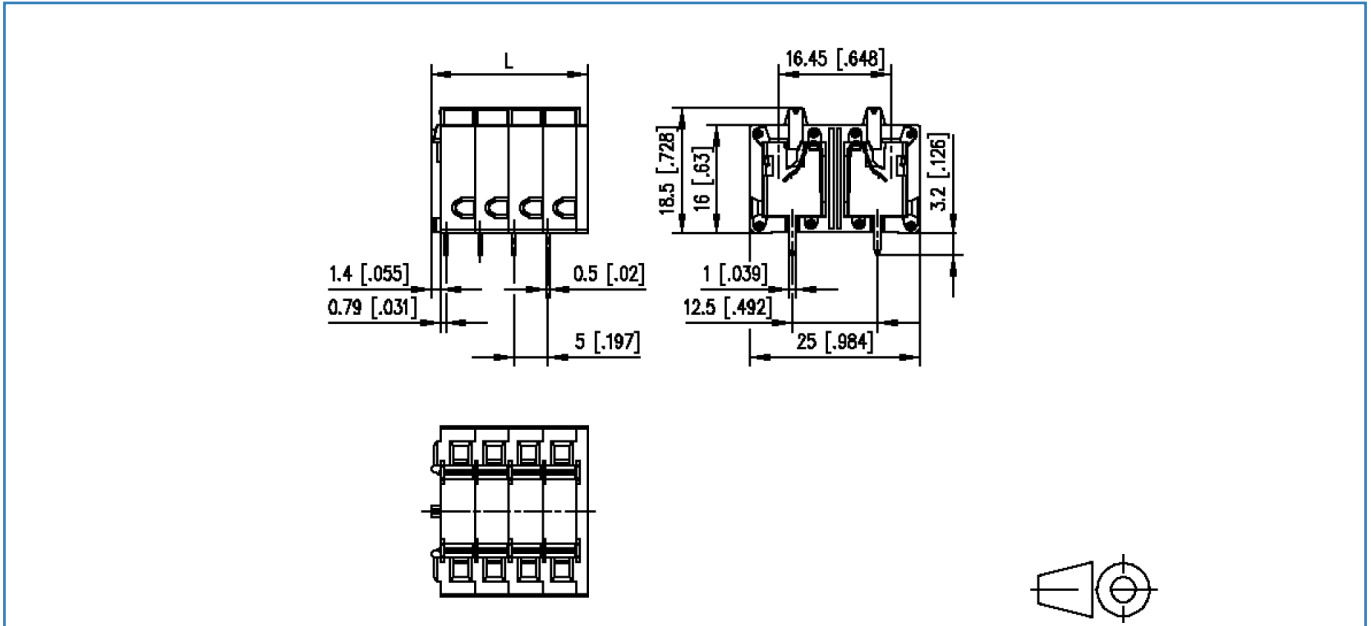
Solderability

Acc. to JEDEC JESD22-B102E 245°C/5s



Illustrations

Dimensional drawing



$L = (\text{pole size} - 1) \times \text{centerline} + 8 \text{ mm} [0.315]$

Illustrations

Drill pattern

